

MOTOR SPECIFICATION SHEET

MODEL : SF-QRGH 1HP 4P RATIO 1:25 (LT)

USED FOR : GEAR MOTOR

| DESCRIPTION | DETAIL | | | |
|----------------------------------|--|------|------|--|
| PHASE | 3 | | | |
| MODEL NAME | SF-QRGH | | | |
| RATED OUTPUT, HP (kW) | 1 (0.75) | | | |
| POLE | 4 | | | |
| CODE | MEATH CODE : 1G7025-0075N-LTQR0 | | | |
| OUTLINE DRAWING NO. | ONM84O341-A | | | |
| RATED VOLTAGE (V) | 220 | 380 | 415 | |
| RATED FREQUENCY (Hz) | 50 | 50 | 50 | |
| RATED CURRENT (A) | 3.20 | 1.85 | 1.80 | |
| RATED SPEED (min ⁻¹) | 55 | 55 | 56 | |
| RATED EFFICIENCY (%) | 76.7 | 76.7 | 78.0 | |
| EFFICIENCY CLASS | IE1 | | | |
| THERMAL CLASS | 155(F) | | | |
| RATING | S1 (CONTINUOUS) | | | |
| ENCLOSURE CONSTRUCTION | TOTALLY ENCLOSED FAN COOLED | | | |
| DEGREES OF PROTECTION | IP55 | | | |
| METHOD OF COOLING | IC411 | | | |
| FRAME NO. | 80M | | | |
| WEIGHT (kg) | 28 | | | |
| STANDARD | IEC 60034-1, IEC 60034-30-1 | | | |
| INSTALLATION | FOOT MOUNTED | | | |
| ROTATION | CCW (VIEWED FROM SHAFT END) | | | |
| BEARING | LOAD SIDE : 6204ZZ | | | |
| | OPPOSITE SIDE : 6203ZZ | | | |
| BEARING GREASE | UREA GREASE | | | |
| CIRCUMSTANCE CONDITION | AMBIENT TEMPERATURE : -20 ~ +40°C | | | |
| | AMBIENT HUMIDITY : 95%RH OR LESS | | | |
| | ABOVE SEA LEVEL : 1000m OR LESS | | | |
| | ENVIRONMENT : NO BURSTING/EROSIVE GAS OR VAPOR | | | |
| COLOR | MUNSELL N1.5 (BLACK) | | | |
| TERMINAL BOX | NO. OF LEAD WIRES : 6 | | | |
| | SOURCE CONNECTION : TERMINAL BLOCK | | | |
| GEAR RATIO | 1:25 | | | |
| GEAR LUBRICANT | GREASE (Filled from factory.) | | | |
| SERVICE FACTOR | 1.4 | | | |
| MATERIAL | FRAME : STEEL PLATE | | | |
| | BRACKET (GEAR SIDE) : CAST IRON | | | |
| | BRACKET (OPP SIDE) : ALUMINIUM | | | |
| | GEAR CASE : CAST IRON | | | |
| | SHAFT (MOTOR) : STEEL | | | |
| | SHAFT (GEAR OUTPUT) : STEEL | | | |
| | STATOR CORE : ELECTRICAL STEEL | | | |
| | WIRE : ENAMELLED COPPER MAGNET WIRE | | | |
| | ROTOR CORE : ELECTRICAL STEEL | | | |
| | CONDUCTOR : ALUMINIUM | | | |
| | TERMINAL BOX : STEEL PLATE | | | |
| PAINTING : POLYURETHANE RESIN | | | | |
| PRODUCTION COUNTRY | THAILAND | | | |

Specifications subject to change without notice.

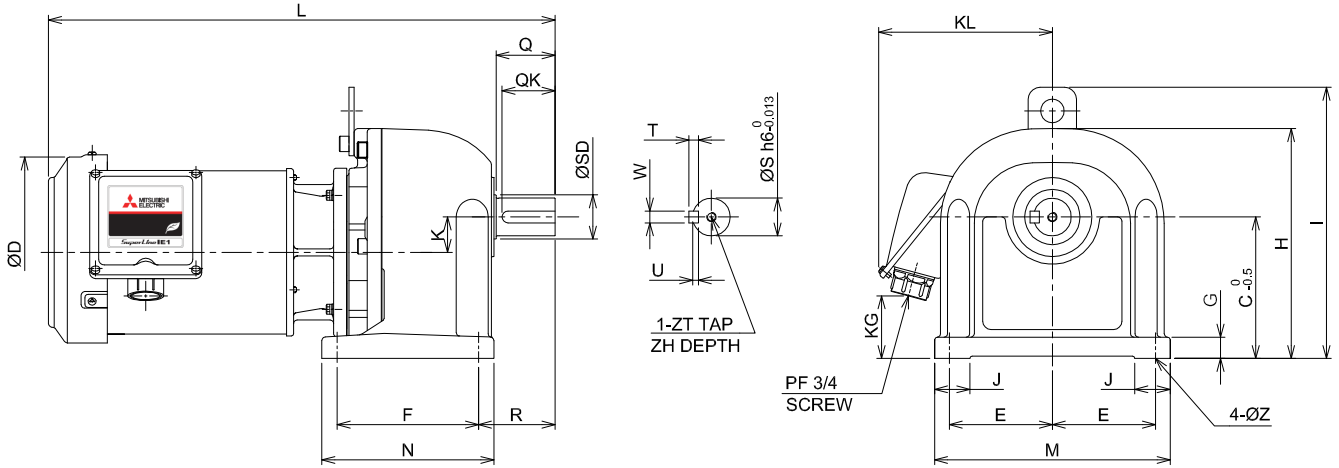
SPECIFICATION SHEET NO.

SS-M-8877-B

MODEL SF-QRGH THREE PHASE INDUCTION MOTOR OUTLINE DRAWING

GEAR MOTOR
 TOTALLY ENCLOSED FAN COOLED
 DEGREES OF PROTECTION IP55
 DUST & WATER JET PROOF

CUSTOMER _____
 USER _____
 FOR _____
 CUSTOMER'S ORDER NO. _____
 QUANTITY _____
 MFG. ORDER NO. _____



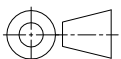
| YOUR ORDER | GEAR RATIO | DIMENSION(mm.) | | | | | | | | | | | | | | | | | | | | WEIGHT (kg.) | | | | | |
|------------|------------|----------------|----|----|-----|----|-----|----|-----|---|----|---|----|----|----|-----|-----|----|----|-------|-----|--------------|-----|-----|-----|----|----|
| | | L | Q | QK | ØD | K | F | R | N | T | W | U | ZT | ZH | ØS | ØSD | KL | KG | J | E | M | | G | C | H | I | ØZ |
| | 1:3~1:30 | 430 | 50 | 45 | 162 | 30 | 120 | 65 | 146 | 8 | 10 | 5 | M8 | 12 | 32 | 34 | 145 | 48 | 30 | 87.5 | 200 | 18 | 120 | 195 | 230 | 12 | 28 |
| | 1:40,1:50 | 448.5 | 50 | 45 | 162 | 30 | 135 | 65 | 161 | 8 | 10 | 5 | M8 | 12 | 32 | 34 | 145 | 53 | 30 | 87.5 | 200 | 18 | 125 | 195 | 230 | 12 | 33 |
| | 1:60 | 481.5 | 60 | 55 | 162 | 32 | 150 | 80 | 187 | 8 | 12 | 5 | M8 | 12 | 40 | 45 | 145 | 71 | 45 | 107.5 | 250 | 22 | 145 | 230 | 265 | 15 | 44 |

| YOUR ORDER | MOTOR FRAME SIZE | RATING | TH. CLASS | AMB. TEMP | BEARINGS | | COLOR | GEAR RATIO | DIRECTION OF ROTATION (VIEWED FROM SHAFT END) | NO. OF LEAD WIRES | REMARKS |
|------------|------------------|------------|-----------|-----------|-----------|-----------|----------------------|------------|---|-------------------|---------|
| | | | | | LOAD SIDE | OPP. SIDE | | | | | |
| | 80M | S1 (CONT.) | 155(F) | 40°C | 6204ZZ | 6203ZZ | BLACK (MUNSELL N1.5) | 1:3~1:30 | CCW | 6 | |
| | | | | | | | 1:40~1:60 | CW | | | |

| YOUR ORDER | RATIO | SERVICE FACTOR | MOTOR OUTPUT | | POLE | VOLT | HERTZ | OUTPUT SPEED (min ⁻¹) | AMP. | IE CODE - RATED EFF. | TYPE | LUBRICATION TYPE |
|------------|-------|----------------|--------------|------|------|-------------|-------|-----------------------------------|----------------|-----------------------|------|-----------------------|
| | | | HP | kW | | | | | | | | |
| | 1:3 | 1.4 | 1 | 0.75 | 4 | 220/380/415 | 50 | 460/460/460 | 3.20/1.85/1.80 | IE1-76.7%/76.7%/78.0% | LT | GREASE ⁽¹⁾ |
| | 1:5 | 1.4 | 1 | 0.75 | 4 | 220/380/415 | 50 | 290/290/290 | | | | |
| | 1:10 | 1.4 | 1 | 0.75 | 4 | 220/380/415 | 50 | 140/140/143 | | | | |
| | 1:15 | 1.4 | 1 | 0.75 | 4 | 220/380/415 | 50 | 96/96/97 | | | | |
| | 1:20 | 1.4 | 1 | 0.75 | 4 | 220/380/415 | 50 | 71.5/71.5/72.5 | | | | |
| | 1:25 | 1.4 | 1 | 0.75 | 4 | 220/380/415 | 50 | 55/55/56 | | | | |
| | 1:30 | 1.4 | 1 | 0.75 | 4 | 220/380/415 | 50 | 50/50/50.5 | | | | |
| | 1:40 | 1.4 | 1 | 0.75 | 4 | 220/380/415 | 50 | 37/37/37.5 | | | | |
| | 1:50 | 1.4 | 1 | 0.75 | 4 | 220/380/415 | 50 | 29.5/29.5/30 | | | | |
| | 1:60 | 1.4 | 1 | 0.75 | 4 | 220/380/415 | 50 | 23/23/23.5 | | | | |

NOTE : (1) GREASE HAD BEEN FILLED FROM MANUFACTURER ALREADY.

MITSUBISHI ELECTRIC AUTOMATION (THAILAND) CO.,LTD.



OUTLINE DRAWING NO.

REV.

DIMENSION IN mm.

SCALE : NTS

ONM840341

A